

AERODROME OBSTACLE CHART

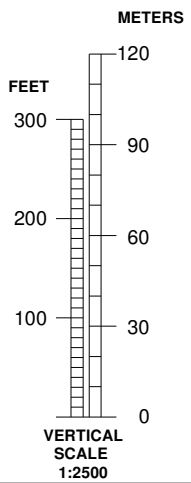
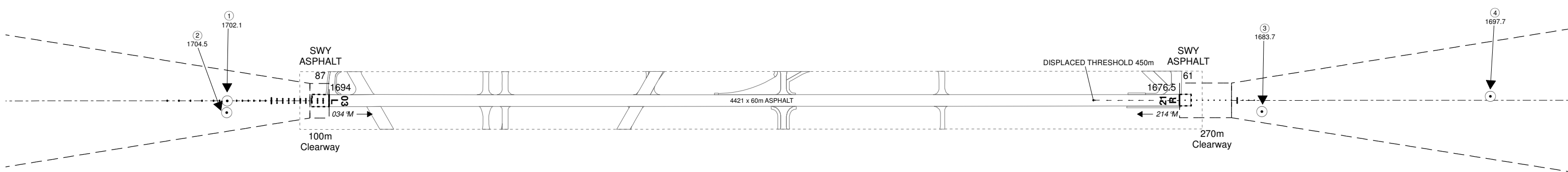
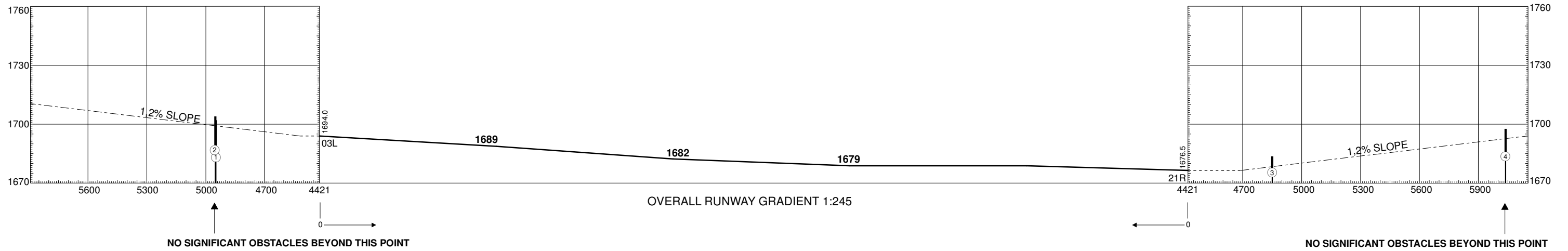
TYPE A OPERATING LIMITATIONS

O.R. TAMBO INTERNATIONAL AIRPORT
RWY 03L-21R
 JOHANNESBURG, SOUTH AFRICA

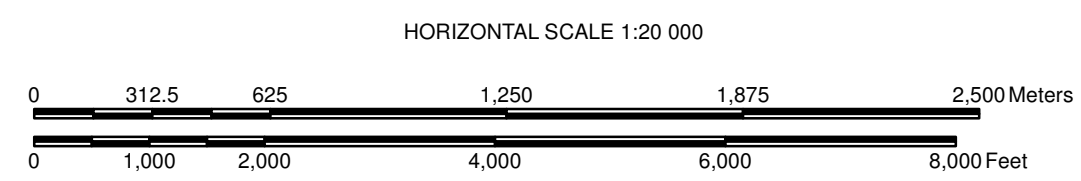
DIMENSIONS AND ELEVATIONS IN METRES

MAGNETIC VARIATION 18°38' WEST (2016)

RUNWAY 03L-21R DECLARED DISTANCES		
RWY 03L		RWY 21R
4421	TAKE-OFF RUN AVAILABLE	4421
4482	ACCELERATE-STOP DISTANCE	4508
4691	TAKE-OFF DISTANCE AVAILABLE	4521
4421	LANDING DISTANCE AVAILABLE	3971



LEGEND		
	PLAN	PROFILE
IDENTIFICATION NUMBER	③	
HEIGHT AMSL IN METER	101.4	
POLE, TOWER, SPIRE, ANTENNA ETC.	○	



ORDER OF ACCURACY	
HORIZONTAL	5.0m
VERTICAL	0.5m

AMENDMENT RECORD		
NO	DATE	ENTERED BY

CHANGE: Revised - 2016 Supplementary Obstacle Data Survey

EFF: 27 APRIL 2017



AD OBST TYPE A-01
 Aerodrome information based on 2016 Supplementary Obstacle Data Survey